

Grasso 10 Series

Reciprocating compressors for industrial refrigeration

GEA Refrigeration

Grasso 5HP	100 to 200 m ³ /h
Grasso 6	135 to 270 m ³ /h
Grasso 7S	100 to 270 m ³ /h
Grasso 8S	360 to 435 m ³ /h
Grasso 10	145 to 580 m ³ /h
Grasso 12	530 to 1590 m ³ /h
Grasso 12E	795 to 2390 m ³ /h



Grasso

Grasso 10 product range

The Grasso 10 series. A range of outstandingly reliable, open type, reciprocating refrigeration compressors.

They are the result of an intensive R&D effort. Central to their design is absolute reliability under the most demanding circumstances and with an alert eye to economics. Grasso has paid particular atten-

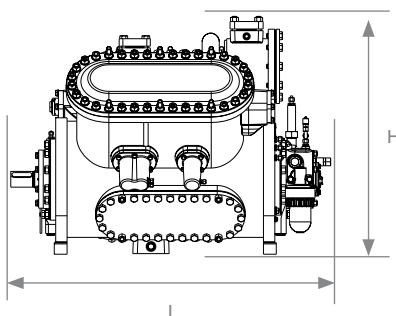
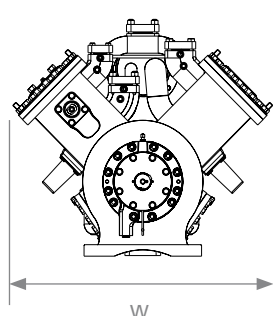
tion to such aspects as price, maintenance costs and power consumption.

In fact the Grasso 10 series offers you maximum reliability for a modest investment and low maintenance costs. Grasso has achieved this by incorporating innovations like composite material valves and

lightweight pistons with low-wear piston rings into a design that has already proven itself in actual practice.

Combined with our unique welded steel compressor concept, these innovative features enable us to offer you total reliability and maximum efficiency.

The Grasso 10 series is designed to work efficiently in almost any type of industrial refrigeration installation for cooling either freezing application and all suited to use with NH₃, R404A, R507, R134a, R22 or any of the new alternative refrigerants. The Grasso 10 series lets you choose between 5 single stage models and 4 two stage models.



Type	Swept Volume 1500 min ⁻¹ (m ³ /h)	Q ₀ (kW)			Q ₀ (kW)		Dimensions (mm)			Weight (kg)
		NH ₃	R22	R134a	R404A	R507	L	W	H	
Single-stage		0/+40 °C			-10/+40 °C					
Grasso 210	145	119	111	62	66	68	945	540	765	510
Grasso 310	217	178	166	93	99	101	1125	540	765	585
Grasso 410	290	238	222	124	132	135	945	890	815	610
Grasso 610	435	357	332	186	198	202	1125	890	815	725
Grasso 810	580	476	444	248	264	270	1475	890	815	990
Two-stage		-35/+35 °C			-40/+35 °C					
Grasso 2110	145	32	29	-	30	31	1125	540	765	590
Grasso 3110	217	43	39	-	40	42	945	890	815	615
Grasso 4210	290	64	58	-	60	62	1125	890	815	730
Grasso 6210	435	86	79	-	80	83	1475	890	815	998

Liquid subcooling = 5K. Suction superheat = 5K (R404A, R507 = 15K). Temperature difference interstage cooler = 10K
Interstage cooling system = „C“ for NH₃ and „B“ economiser for synthetic refrigerants



GEA Refrigeration

GEA Grasso B.V.

P.O. Box 343, 5201 AH, 's-Hertogenbosch, The Netherlands
Phone +31 (0)73 6203 911, Fax +31 (0)73 6214 320
info@grasso.nl, www.grasso.nl

GEA Refrigeration

GEA Grasso GmbH

Holzhauser Straße 165, 13509 Berlin, Germany
Phone +49 (0)30 43 592 6, Fax +49 (0)30 43 592 777
info@grasso.de, www.grasso.de

