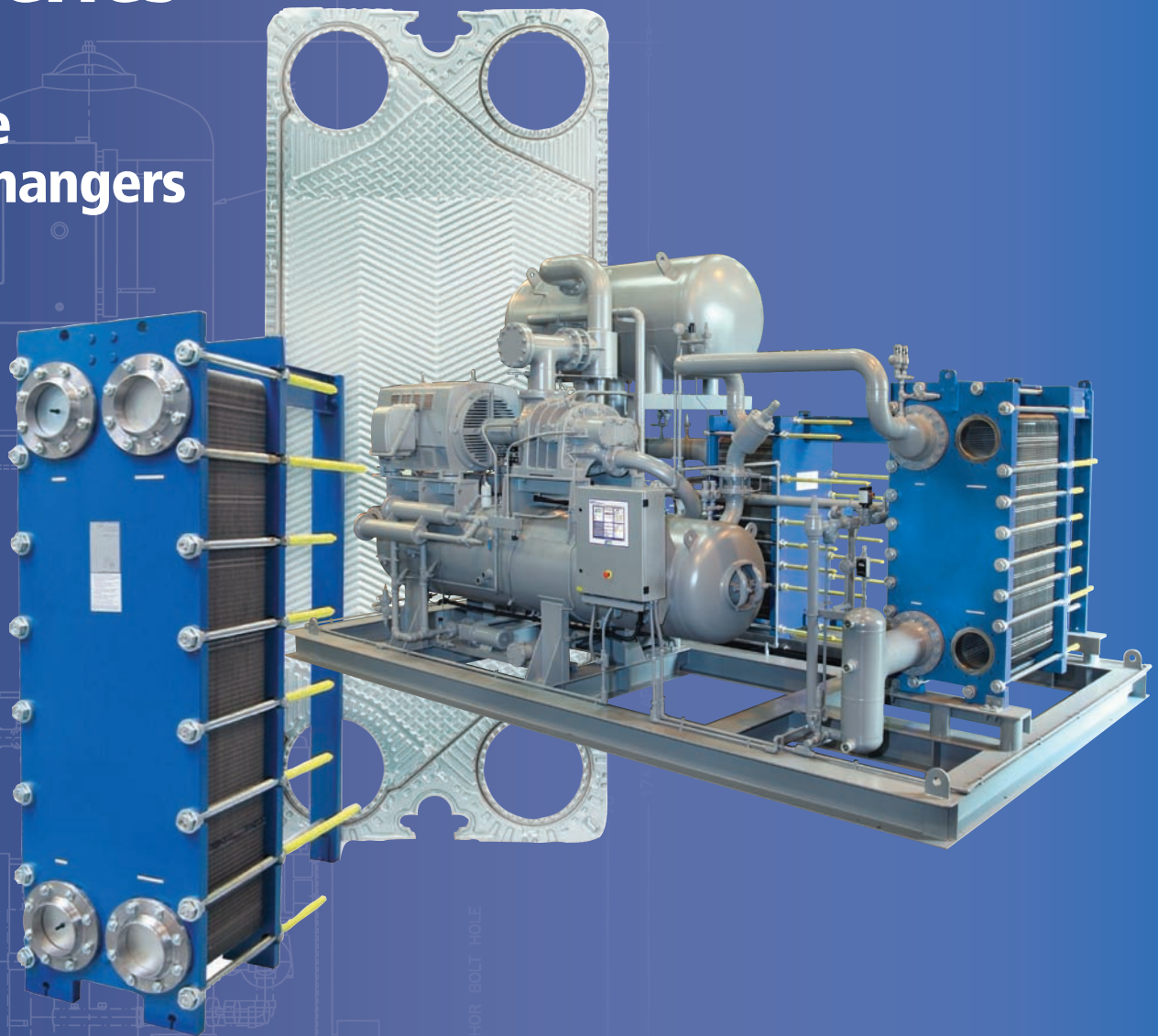
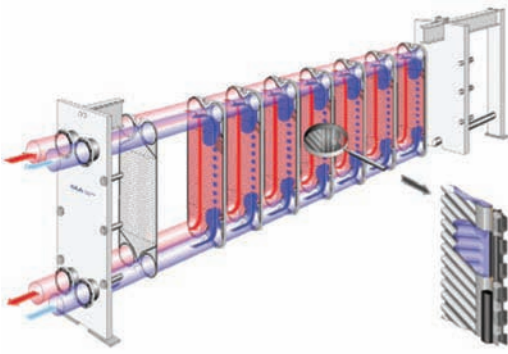




LWC Series

Welded Pair Plate Heat Exchangers





High Technology Overcomes Aggressive Media.

The LWC brings the impressive performance of plate heat exchangers to work with aggressive media like ammonia refrigerants. The aggressive media (shown in blue at left) passes inside the Laser Welded Cassettes, while the other media (shown in red at left) passes between the cassettes. The result?

- Excellent compatibility with critical media.
- Reliable performance in a demanding application.
- Smaller refrigerant charge needed.
- Big performance in a small package.
- All the maintenance and servicing benefits of gasketed plate heat exchangers.

Technical Details:

Heat Transfer Plate Material: 0.6 mm, 316 Stainless as standard. Optional Titanium grade one, Hastelloy C-276, SMO 254, Alloy 686, Alloy 59, Stainless 904L. Available with oxygen-free welding for added corrosion resistance.

Gasket: Neoprene, NBR, NBR High Temperature, EPDM, EPDM High Temperature, Viton, and others on request.

Port Connection: Metal Lined (Stainless, Titanium and others on request), Welded Neck Flange and others on request.

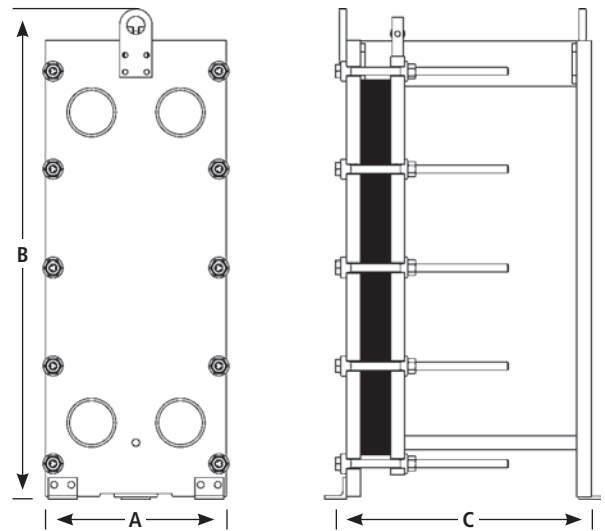
Pressure Plate: Carbon Steel and others on request.

Maximum Pressure: Maximum standard pressure for the refrigerant side is 300 psig (25 bar). Maximum standard pressure is 225 psig (16 bar) for the non-refrigerant side.

Temperature Range: Varies with the media and gasket selection. Maximum is 300°F (150°C). Minimum is -49°F (-45°C). Contact us for details. Standard design temperature is -20° to 200°F.

Rated Liquid Flow Rate:

LWC100: 682 gpm (155m³/hour)
 LWC150: 1541 gpm (350m³/hour)
 LWC250: 3960 gpm (900m³/hour)



Technical modification reserved. LWC • 04/10 • Caskey

Model	Connection Size	Dim. A	Dim. B	Dim. C
LWC 100 T	4" nominal (DN 100)	21.3" (540mm)	44.9" (1140mm)	Up to 107.9" (2740mm)
LWC 100 M			60.9" (1546mm)	Up to 84.3" (2141mm)
LWC 100 X			76.9" (1952mm)	Up to 84.3" (2141mm)
LWC 150 S	6" nominal (DN 150)	25.1" (638mm)	67.6" (1716mm)	Up to 108.3" (2750mm)
LWC 150 L			86.5" (2196mm)	Up to 108.3" (2750mm)
LWC 250 S	10" nominal (DN 250)	35.2" (895mm)	87.5" (2222mm)	Up to 107.8" (2738mm)
LWC 250 L			110.8" (2815mm)	Up to 108" (2743mm)

GEA FES, Inc.
 3475 Board Road
 York, PA 17406
 Toll Free: 800-888-4337
 PH: 717-767-6411 FAX: 717-764-3627
 E-Mail: sales.fes@geagroup.com
 Web: www.geafes.com



Form: LWC-0910